

Modular LED Street Light: SL-Series





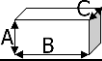

- High efficiency LED luminaire, ultra low profile
- Integrated lens for optimized light pattern
- Modular approach 11W – 60W (wide power range by application of one or several luminaires)
- 12V, 24V LED driver, dimmable
- Luminaire IP65 rated
- Built in vapor exchange membrane for long LED life time
- Waterproof connectors (plug and play)
- Full thermal protection
- High quality powder coating
- LED life time >60,000 h
- High quality optics
- CE, ROHS



Datasheet: DATASHEET-SL-SERIES-2016-11-10-EN-SHORT Subject to change without notice

Modular LED Street Light: SL-Series

SL series lamps are high lumen output, long life, modular and reliable lamps for roadway lighting and other public or private outdoor lighting applications. Using the reliable Luxeon Rebel-ES[®] -LED, which provides excellent performance in light efficiency, lifetime and temperature reliability for the Zimpertec Light Engine. Integrated lenses together with the high transparency PC-Cover lead to an optimized light pattern on the road, which can provide good light distribution even with pole spacings up to 30 m apart. The newly designed aluminum die cast lamp is protected by a high quality powder coating finish. The heat sink is designed for optimized heat dissipation as well as for best appearance. The low draft angled fins resist soiling, enabling the thermal performance to be maintained over the full lifetime of the lamp. By combining the SL11 and SL15, a large range of different total power ratings from 11W to 45W can easily be implemented (11W, 15W, 22W, 26W, 30W, 33W, 37W, 41W, 45W, 52W, 56W, 60W). Simplify your warehousing using modular lamps!

SL-xx Technical Data Lamp:			
	SL11	SL15	
Max. Current:	600mA	600 mA	
Power (including driver):	11 W	15 W	
Luminous flux @ 600mA:	1100 lm	1500 lm	
Luminous efficiency Lamp incl. Driver (Lamp only):	100 lm/W (110 lm/W) +/-5%		
Color Rendering Index:	70%		
Working temp. :	-30°C ... +50°C		
Color temperature:	5600K		
Beam Angle: 	AO: 85° x 130° Asymmetric (standard)/ Asimétrico (estándar) SO: 60° x 130° Symmetric (on request)/ Asimétrico (a pedido) R: 120° (on request)/ (a pedido)		
LED Lifetime:	>60 000h		
IP:	IP65		
	A: 52,5mm B: 254,5mm C: 74,5mm		
	380g		

Datasheet: DATASHEET-SL-SERIES-2016-11-10-EN-SHORT Subject to change without notice